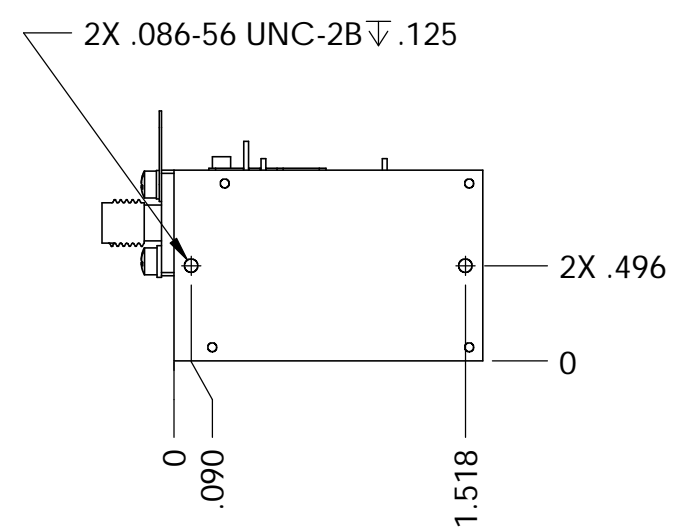
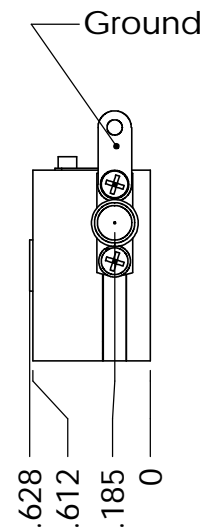
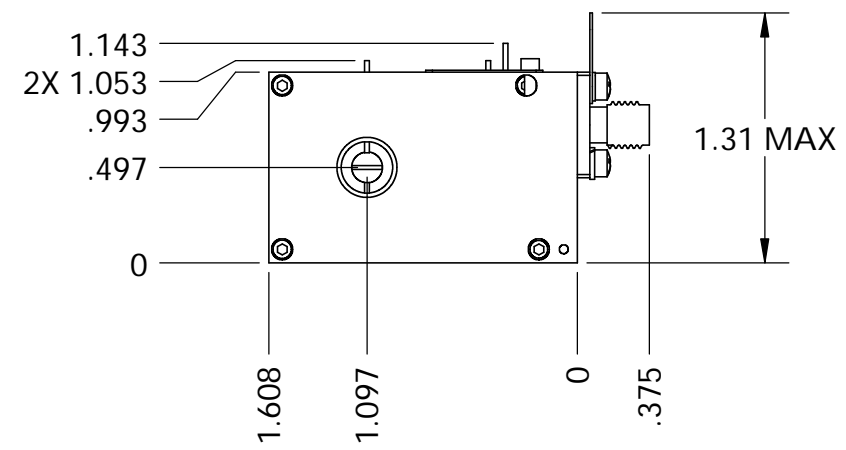
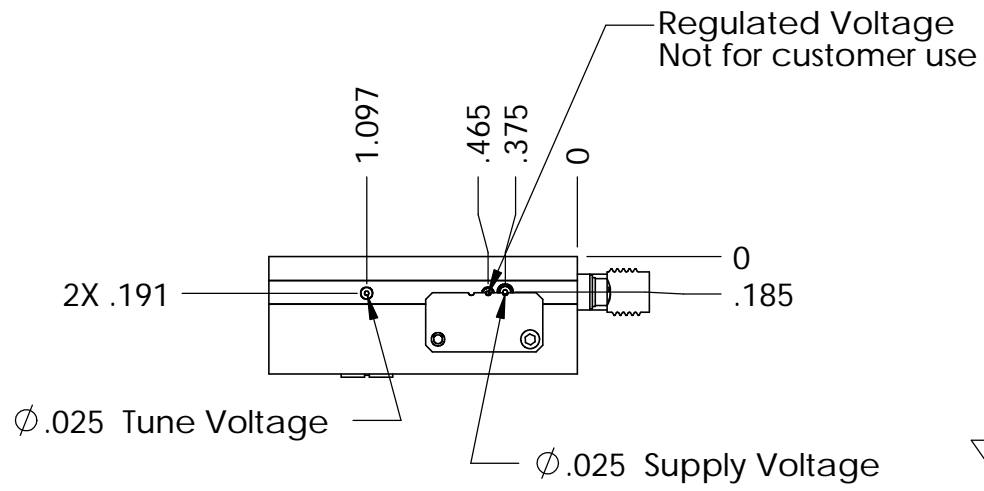


DATE	REVISION	CHANGES	APPROVED
8/17/04	3	ADDED GROUND LUG	BB/WI



Notes:  
 1) DC pins and ground lug are solderable  
 2) RF Output is field replaceable SMA(f) when frequency is less than 24GHz, field replaceable 2.92mm(f) when frequency is greater than 24GHz  
 3) Dimensions are subject to change in the interest of improved product performance

UNLESS OTHERWISE SPECIFIED DIMENSIONS ARE IN INCHES TOLERANCES ARE: FRACTIONS DECIMALS ANGLES ±.010 ±.01	CAD GENERATED DRAWING, DO NOT MANUALLY UPDATE		<b>Lucix Corporation</b> ALL INFORMATION CONTAINED IN THIS DRAWING IS THE SOLE PROPERTY OF THE LUCIX CORPORATION. <b>Outline,</b> <b>2-8, 24-32GHz FRDRO;</b> <b>8-16GHz w/ amp</b>
	APPROVALS	DATE	
MATERIAL	n/a	DRAWN B.Bufford	9/9/03
FINISH	n/a	CHECKED	
DO NOT SCALE DRAWING		RESP ENG B.Bufford	9/9/03
		MFG ENG	
		QUAL ENG	
SIZE A	DWG. NO. 4AD001-1	REV. 3	
SCALE 1:1	CAD FILE: OL_2_16&24_34_fr_alt	SHEET 1	OF 1