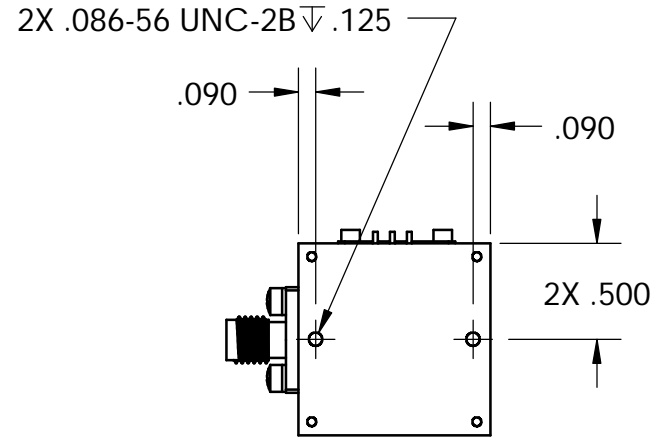
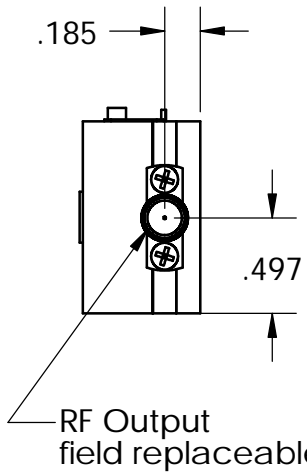
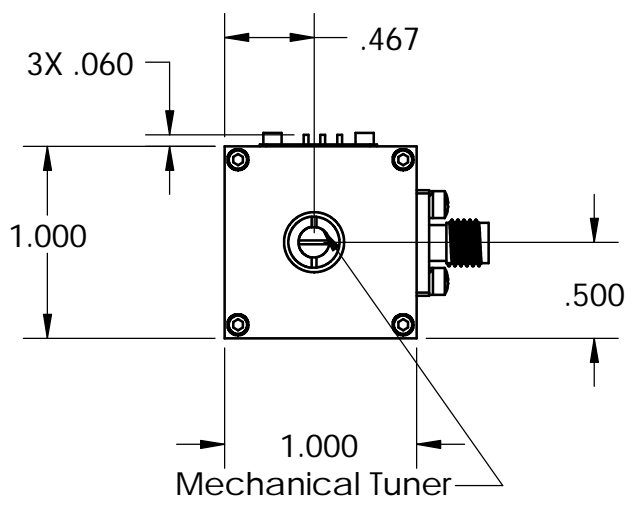
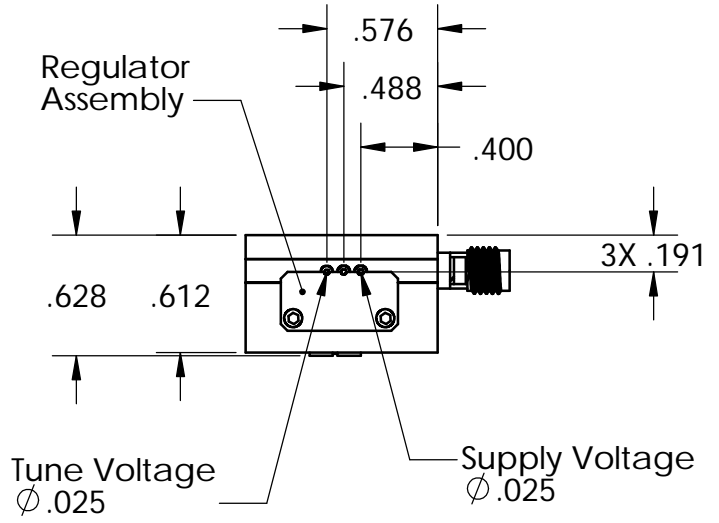


DATE	REVISION	CHANGES	APPROVED
9/11/03	4	CHANGED FREQ RANGE	BB



Notes:
 1) DC pins are solderable
 2) Dimensions area subject to change in the interest of improved product performance

UNLESS OTHERWISE SPECIFIED DIMENSIONS ARE IN INCHES TOLERANCES ARE: FRACTIONS DECIMALS ANGLES $\pm .010$ $\pm .01$	CAD GENERATED DRAWING, DO NOT MANUALLY UPDATE	
	APPROVALS	DATE
MATERIAL	DRAWN B.Bufford	11/12/01
FINISH	CHECKED	
DO NOT SCALE DRAWING	RESP ENG B.Bufford	11/12/01
	MFG ENG	
	QUAL ENG	

Lucix Corporation
 ALL INFORMATION CONTAINED IN THIS DRAWING IS THE SOLE PROPERTY OF THE LUCIX CORPORATION.

**Outline,
 8.0-16.0GHz FRDRO**

SIZE A	DWG. NO. 4CD004-1	REV. 4
SCALE 1:1	CAD FILE: OL_8_14_FRDRO_all	SHEET 1 OF 1