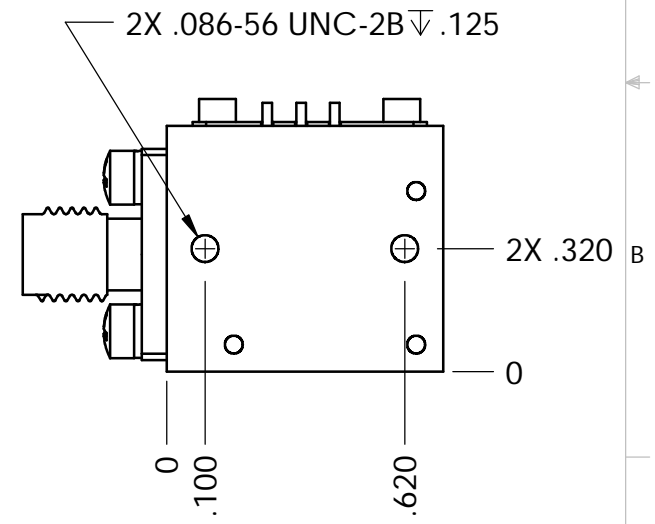
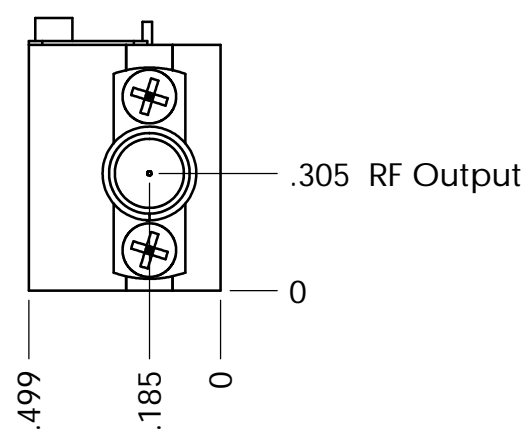
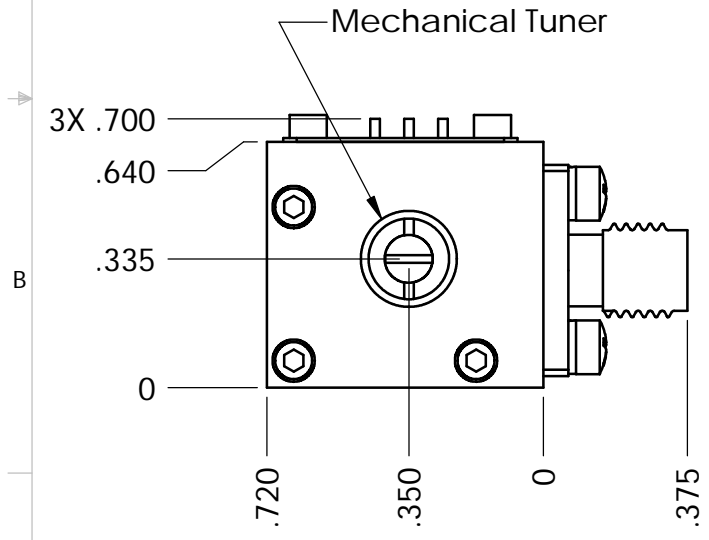
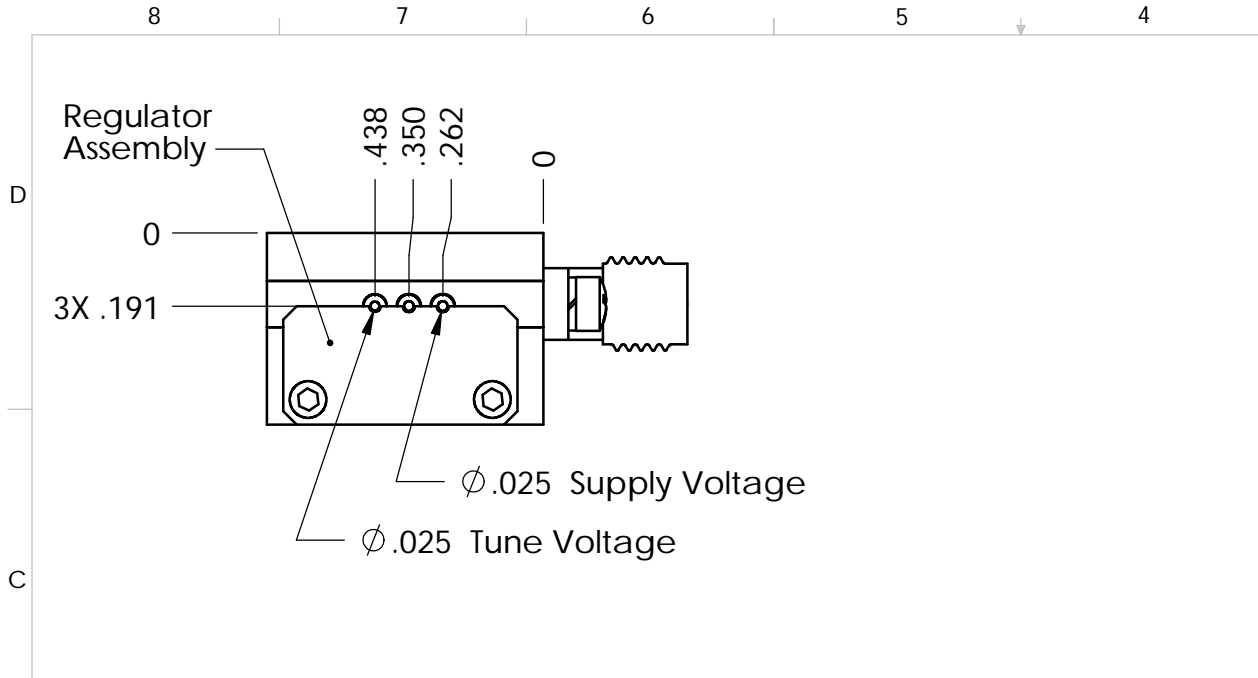


DATE	REVISION	CHANGES	APPROVED
9/11/03	4	CHANGED FREQ RANGE	BB



Notes:

- 1) DC pins are solderable
- 2) RF output is SMA field replaceable female
- 3) Dimensions subject to change in the interest of improved product performance

UNLESS OTHERWISE SPECIFIED DIMENSIONS ARE IN INCHES TOLERANCES ARE: FRACTIONS DECIMALS ANGLES $\pm$ .010 $\pm$ .01	CAD GENERATED DRAWING, DO NOT MANUALLY UPDATE		<b>Lucix Corporation</b> ALL INFORMATION CONTAINED IN THIS DRAWING IS THE SOLE PROPERTY OF THE LUCIX CORPORATION.  <b>Outline,</b> <b>16.0-24.0GHz FRDRO</b>
	APPROVALS	DATE	
	DRAWN B.Bufford	1/11/02	
	CHECKED		
MATERIAL n/a	RESP ENG B.Bufford	1/11/02	SIZE A DWG. NO. <b>4DG002-1</b> REV. <b>4</b> SCALE 2:1 CAD FILE: 4DG002-1 SHEET 1 OF 1
FINISH n/a	MFG ENG		
DO NOT SCALE DRAWING	QUAL ENG		