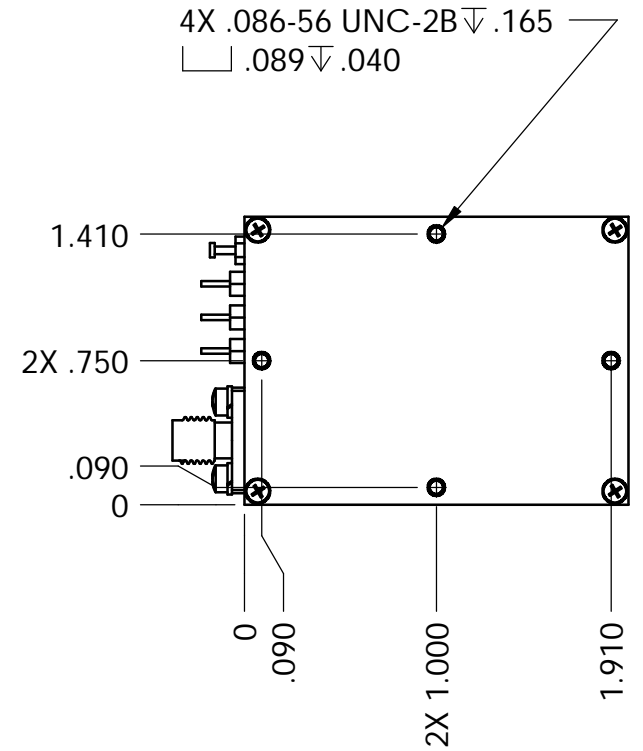
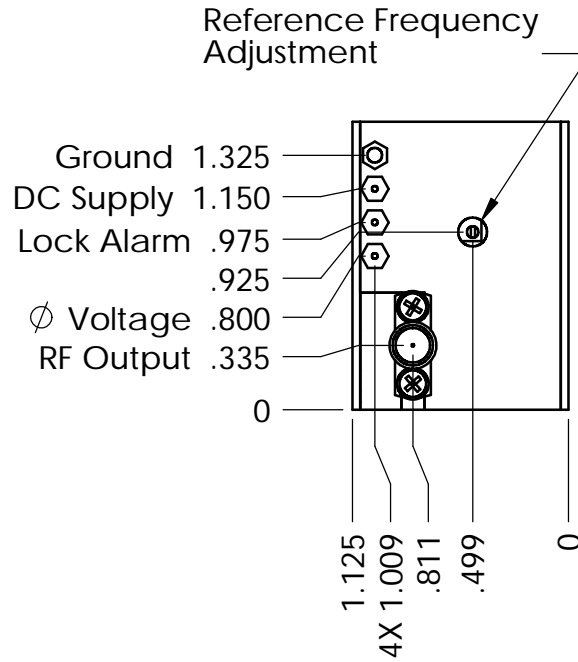
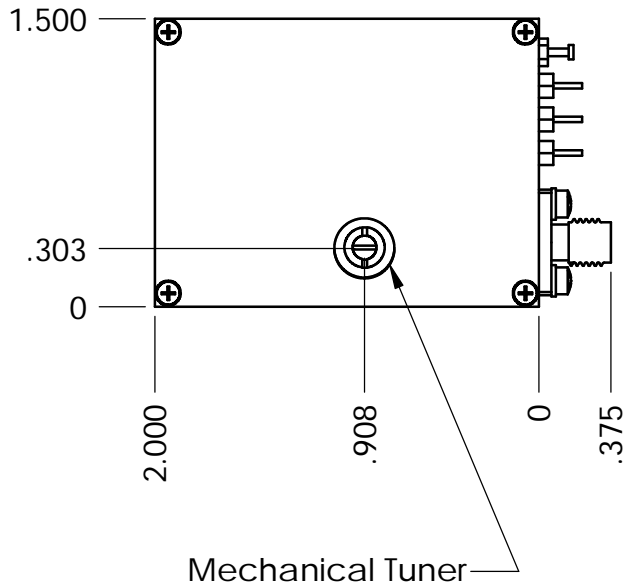


NOTES:

- 1) Ground, Supply Voltage, Lock Alarm, and ϕ Voltage are solderable terminals.
- 2) RF Output is a field replaceable SMA (F) (2.92 mm above 26.5 GHz).
- 3) Dimensions are subject to change in the interest of product improvement

DATE	REVISION	CHANGES	APPROVED
9/11/03	3	CHANGED FREQ RANGE	BB



UNLESS OTHERWISE SPECIFIED
 DIMENSIONS ARE IN INCHES
 TOLERANCES ARE:

FRACTIONS	DECIMALS	ANGLES
	$\pm .010$	
	$\pm .01$	

MATERIAL n/a

FINISH n/a

DO NOT SCALE DRAWING

CAD GENERATED DRAWING,
 DO NOT MANUALLY UPDATE

APPROVALS	DATE
DRAWN B.Bufford	6/26/03
CHECKED	

RESP ENG
B.Bufford
6/26/03

MFG ENG

QUAL ENG

Lucix Corporation

ALL INFORMATION CONTAINED IN THIS DRAWING IS
 THE SOLE PROPERTY OF THE LUCIX CORPORATION.

Outline,
 16-24, 32-44GHz
 IRDRO

SIZE	DWG. NO.	REV.
A	4DG008-1	3