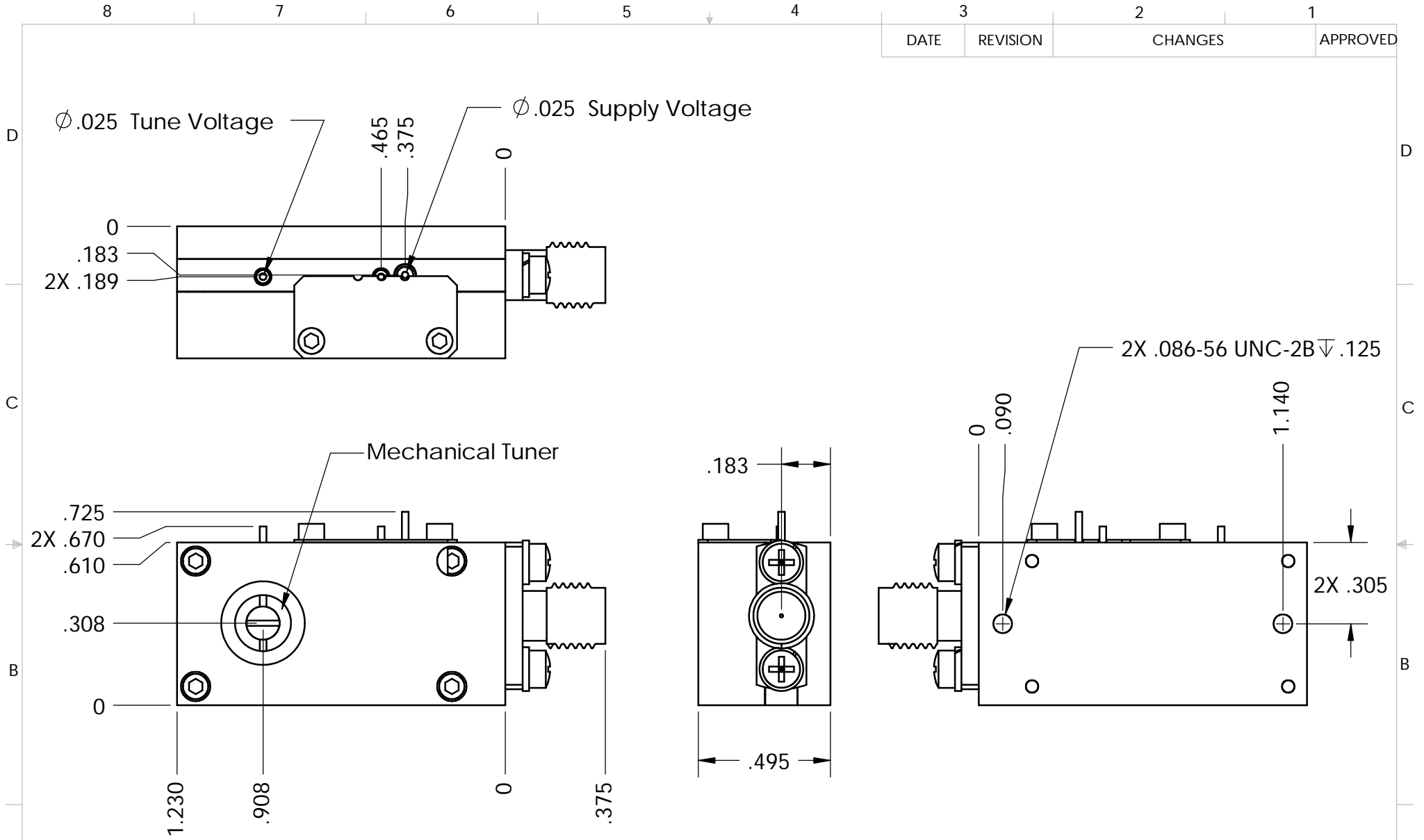


3	2	1
DATE	REVISION	CHANGES
		APPROVED



Notes:  
 1) All DC pins are solderable  
 2) RF Output is field replaceable SMA(f) when frequency is less than 24GHz, field replaceable 2.92mm(f) when frequency is greater than 24GHz  
 3) Dimensions are subject to change in the interest of improved product performance

UNLESS OTHERWISE SPECIFIED DIMENSIONS ARE IN INCHES TOLERANCES ARE: FRACTIONS DECIMALS ANGLES $\pm .010$ $\pm .01$	CAD GENERATED DRAWING, DO NOT MANUALLY UPDATE		<b>Lucix Corporation</b> ALL INFORMATION CONTAINED IN THIS DRAWING IS THE SOLE PROPERTY OF THE LUCIX CORPORATION. <b>Outline,</b> <b>16-24, 34-44GHz FRDRO,</b> <b>Amplified</b>
	APPROVALS	DATE	
	DRAWN B.Bufford	1/30/04	
	CHECKED		
MATERIAL n/a	RESP ENG B.Bufford	1/30/04	SIZE DWG. NO. REV. A 4EG001-1 1
FINISH n/a	MFG ENG		
DO NOT SCALE DRAWING	QUAL ENG		
SCALE 2:1		CAD FILE: OL_16_24_FR_AMP	SHEET 1 OF 1