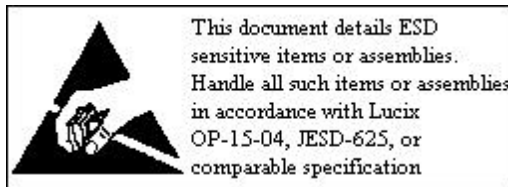
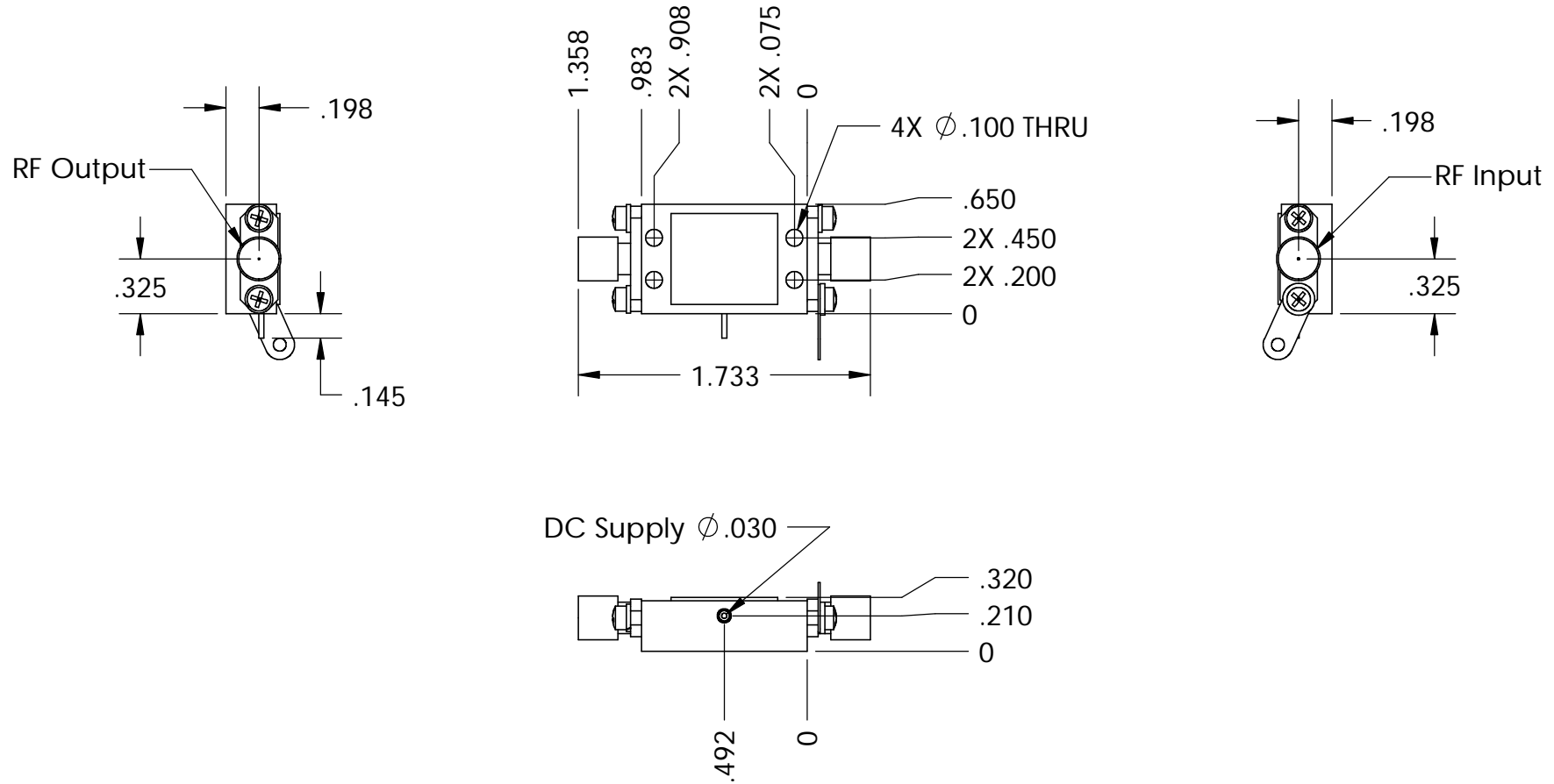


NOTES:

- 1) Ground, Supply Voltage are solderable terminals
- 2) RF connectors are field replaceable SMA female
- 3) Dimensions are subject to change in the interest of improved product performance

DATE	REVISION	ECO	CHANGES	APPROVED
4/8/05	4/8/05	14037	SWITCHED INPUT AND OUTPUT	BB/SL



UNLESS OTHERWISE SPECIFIED DIMENSIONS ARE IN INCHES TOLERANCES ARE: FRACTIONS DECIMALS ANGLES ±.010 ±.01	CAD GENERATED DRAWING, DO NOT MANUALLY UPDATE		Lucix Corporation ALL INFORMATION CONTAINED IN THIS DRAWING IS THE SOLE PROPERTY OF THE LUCIX CORPORATION.		
	APPROVALS	DATE			
	DRAWN B.Bufford	8/11/04	Outline, LK3 Amplifier		
	CHECKED				
MATERIAL n/a	RESP ENG B.Bufford	8/11/04			
FINISH n/a	MFG ENG		SIZE A	DWG. NO. LK3	REV. 4/8/05
DO NOT SCALE DRAWING	QUAL ENG		SCALE 1:1	CAD FILE: OL_Amp_171_3Stage	SHEET 1 OF 1