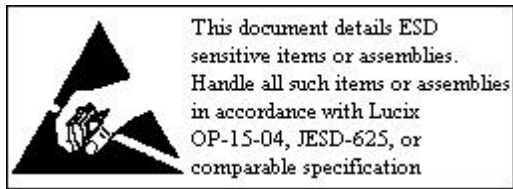
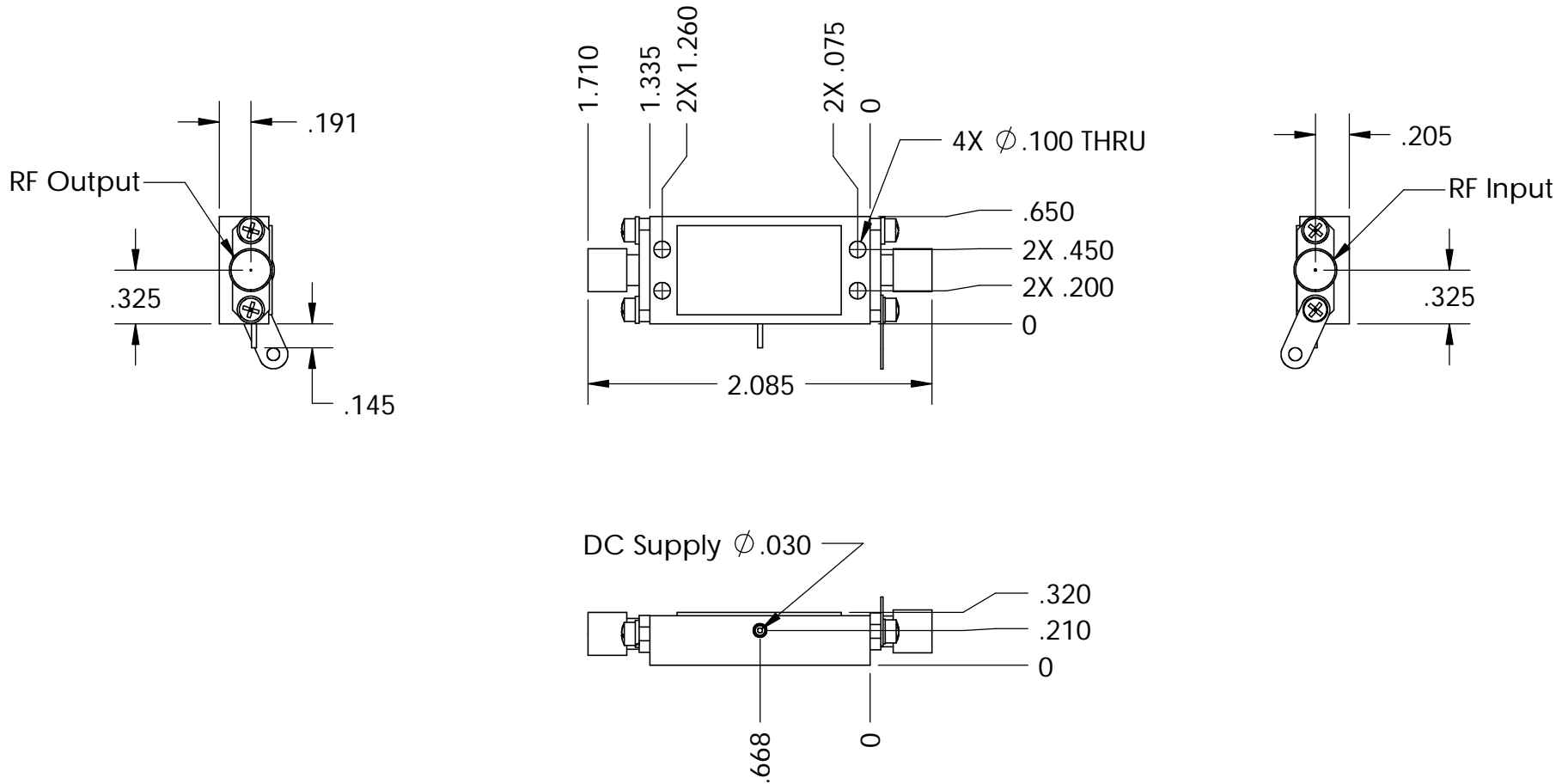


NOTES:

- 1) Ground, Supply Voltage are solderable terminals
- 2) RF connectors are field replaceable SMA female
- 3) Dimensions are subject to change in the interest of improved product performance

DATE	REVISION	ECO	CHANGES	APPROVED
4/8/05	4/8/05	14037	SWITCHED INPUT AND OUTPUT	BB/SL



UNLESS OTHERWISE SPECIFIED DIMENSIONS ARE IN INCHES TOLERANCES ARE: FRACTIONS    DECIMALS    ANGLES ±.010                    ±.01	CAD GENERATED DRAWING, DO NOT MANUALLY UPDATE		<b>Lucix Corporation</b> ALL INFORMATION CONTAINED IN THIS DRAWING IS THE SOLE PROPERTY OF THE LUCIX CORPORATION.  <b>Outline, LK5 Amplifier</b>
	APPROVALS	DATE	
	DRAWN B.Bufford	8/11/04	
	CHECKED		
MATERIAL <b>n/a</b>	RESP ENG B.Bufford	8/11/04	SIZE    DWG. NO.                    REV. A                    LK5                                    4/8/05
FINISH <b>n/a</b>	MFG ENG		
DO NOT SCALE DRAWING	QUAL ENG		
SCALE 1:1		CAD FILE: OL_Amp_171_5Stage	SHEET 1 OF 1